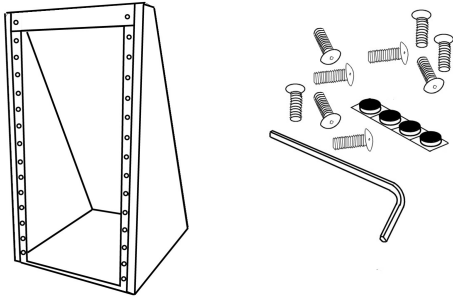




## **GF-AC MODULE RACK**

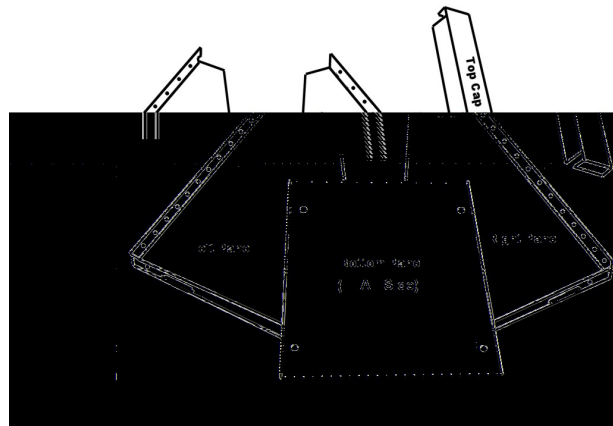
### **ASSEMBLY INSTRUCTIONS**

Your GF-AC module rack kit contains the following pieces:



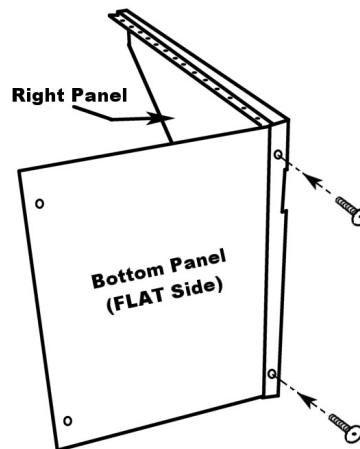
Quantity	Description
1	Rack top cap
1	Rack panel, left side
1	Rack panel, right side
1	Rack panel, bottom
4	Adhesive rubber feet
9	8-32 x 3/8" button socket cap screws. 8 are needed for assembly -- one extra is provided.
1	3/32" hex key

**1.** Unpack the left, right, and bottom rack panels and the top cap. Arrange the pieces on a non-scratching work surface, as shown in the diagram to the right.

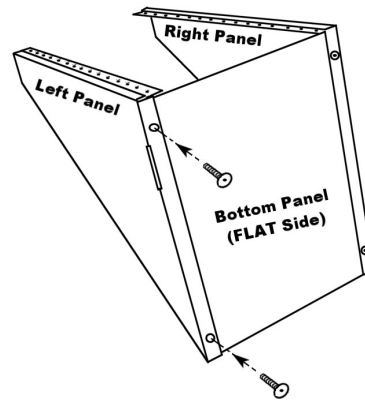


**2.** Note that the bottom panel has one side that is completely flat (the **FLAT** side) while the other side has threaded fasteners which extend about 1/8" above the surface of the panel.

**3.** Align the two holes in the right panel with the two holes in the bottom panel. The flat side of the bottom panel should be facing you., and *inside* the right panel. Using the hex key, connect the panels with two screws.

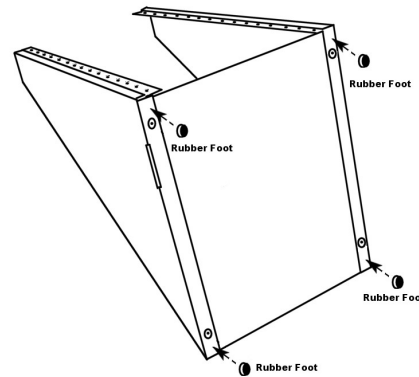


4. Align the two holes in the left panel with the two holes in the bottom panel, making sure that the bottom panel fits *inside* the left panel. Using the hex key, connect the panels with two screws.



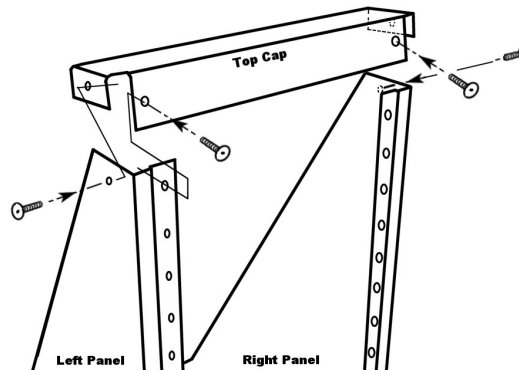
5. Remove the adhesive backing from the rubber feet. Attach one rubber foot in each of the locations shown in the diagram, pressing them firmly into place.

Stand the rack upright on its feet, with the two vertical rows of mounting holes facing you.



6. Position the top cap so that its left and right sides fit *inside* the left and right panels, respectively. The front edge of the top cap slides down in front of the mounting rails.

Once the top cap is in position, fasten it to the left and right panels using four screws, as shown in the diagram.



Your GF-AC rack is now fully assembled, and ready for housing GF-AC cockpit control modules.

For empty spaces in the rack, 2" high module bay covers are also available from GoFlight.